

Sparkler GS-1102, GS-1402, GS-1702

Pathlighting

Architectural Lighting

Deck/Dock Lighting

Stairway/Step Lighting



Nightscaping®

1705 E. Colton Avenue
Redlands, California 92374

Tel: (909) 794-2121

Fax: (909) 794-7292

Help Line: (800) 544-4840

Email: wlocklin@nightscaping.com

<http://www.nightscaping.com>

Provide both functional and visually interesting sources of light with Nightscaping® brand Sparklers. The Sparklers come in three sizes and look best when installed in clusters utilizing each of the three different heights. These fixtures cast low levels of light directly to the ground below and also project a sparkling pattern of light out onto walls, plant materials and other surrounding objects.

Standard Lamp: GS-1102-1 -LO93 (Standard)

Material: Top/Stem: Phosphatized Steel.

Body: Perforated Phosphatized Steel
Also available in Copper

Finish: GS-1102 -1, -7 (Standard)

GS-1102 -2, -3, -4, -8, -9, -AV, -VP, -W (Optional w/surcharge)

GS-1102 CU Copper

GS-1102 CU-V Copper-Verde

GS-1402 -1, -7 (Standard)

GS-1402 -2, -3, -4, -8, -9, -AV, -VP, -W (Optional w/surcharge)

GS-1402 CU Copper

GS-1402 CU-V Copper-Verde

GS-1702 -1, -7 (Standard)

GS-1702 -2, -3, -4, -8, -9, -AV, -VP, -W (Optional w/surcharge)

GS-1702 CU Copper

GS-1702 CU-V Copper-Verde

Socket: Non-corroding polycarbonate
(Single-Contact Bayonet)

Mounting: Spike Mount (Standard)

Nightscaping™ The Safe System

Sparkler

GS-1102



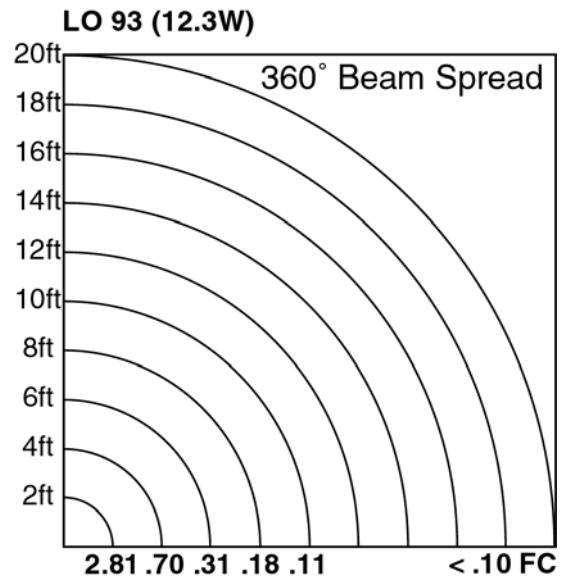
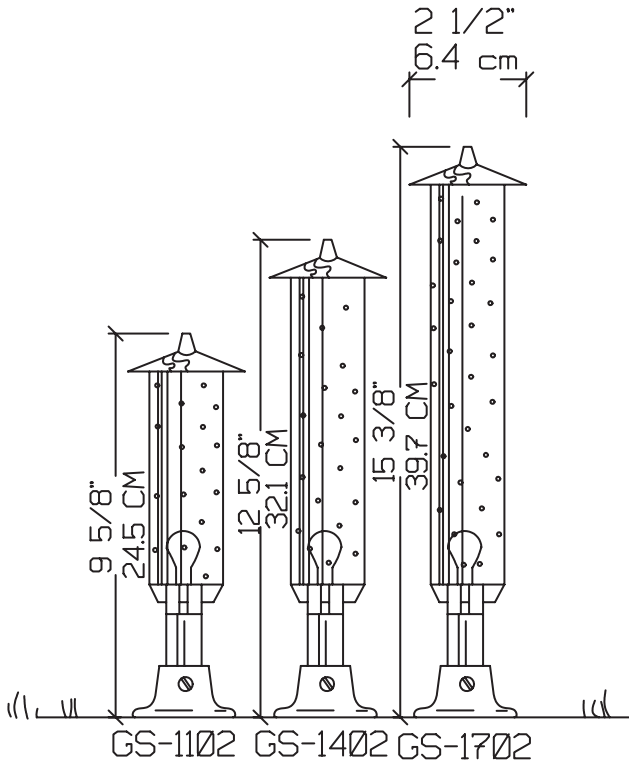
Nightscaping™ Safe System

Alternative Lamps: GS-1102-1 -LO1141, -LO1156, -LO67, -LO89 (Optional)

Mounting Options:
 GS-1102-1-LO93 -CM (Optional) Conduit Mount with ½" male pipe threads. (Factory installed)
 GS-1102-1-LO93 -FMO (Optional) Floor Mount - Aluminum
 GS-1102CU-LO93 -FMO (Optional) Floor Mount - Brass

Options: See above indications
Interior Finish: Gives effect of white light coming from a colored source.
 GS-1102-1-LO93 -INT-A, -B, -G, -R Colored interior instead of white

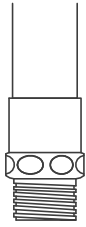
Warranty: 10-Year 'Repair or Replace' Warranty.



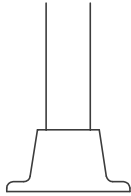
STANDARD LAMP PHOTOMETRIC

DESIGN TIP*

These fixtures are most effective in groups of three using each of the different sizes available.



OPTIONAL CONDUIT MOUNT
7/8" MALE PIPE THREADS



OPTIONAL FLOOR MOUNT
BRASS OR ALUMINUM

MATERIALS

TOP: PHOSPHATIZED STEEL
BODY: PERFORATED PHOSPHATIZED STEEL
(ALSO AVAILABLE IN COPPER)

LAMP

LO93 (STANDARD)
12.3 WATTS, SINGLE CONTACT BAYONET

SOCKET:

NON-CORRODING POLYCARBONATE
SINGLE CONTACT BAYONET

MOUNTING:

SPIKE MOUNT (STANDARD)
FLOOR AND CONDUIT MOUNT (OPTIONAL)

FINISH:

GS-1102 (6")
GS-1402 (9")
GS-1702 (12")
GS-1102 (6")
GS-1402 (9")
GS-1702 (12")

-1 (BLACK), -7 (WEATHERED IRON)
(STANDARD POLYESTER POWDER COAT)

-2 (NATIVE GREEN), -3 (TAN), -4 (BRONZE),
-8 (SANDSTONE), -9 (EARTHSTONE), -W (WHITE),
-AV (ANTIQUE VERDE), -VP (VERDE POWDER)
(OPTIONAL POLYESTER POWDER COAT:
ADDITIONAL CHARGE)

NATURAL COPPER

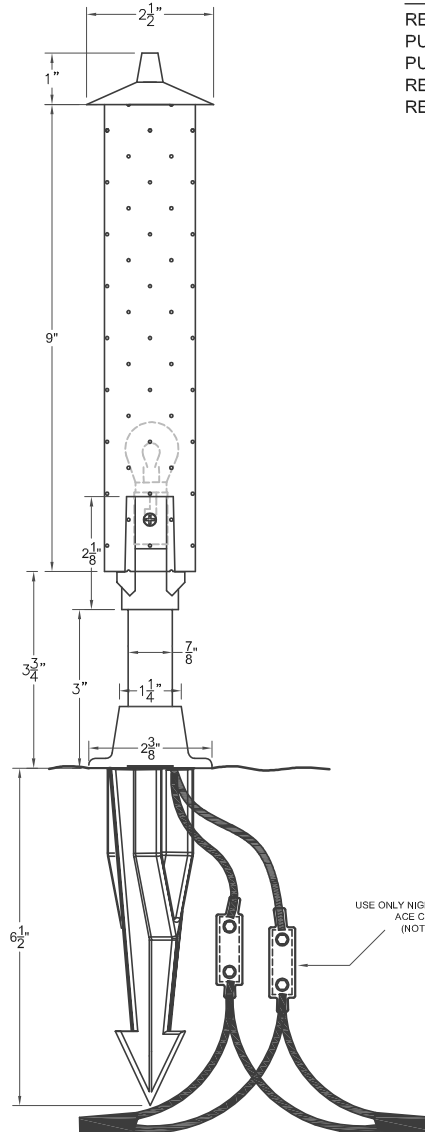
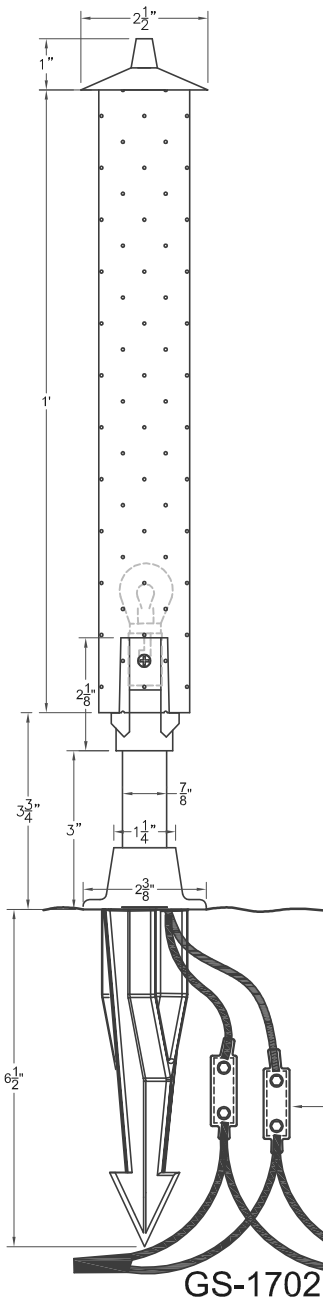
GS-1102CU (6")
GS-1402CU (9")
GS-1702CU (12")

GS-1102CU-V
GS-1402CU-V (9")
GS-1702CU-V (12")

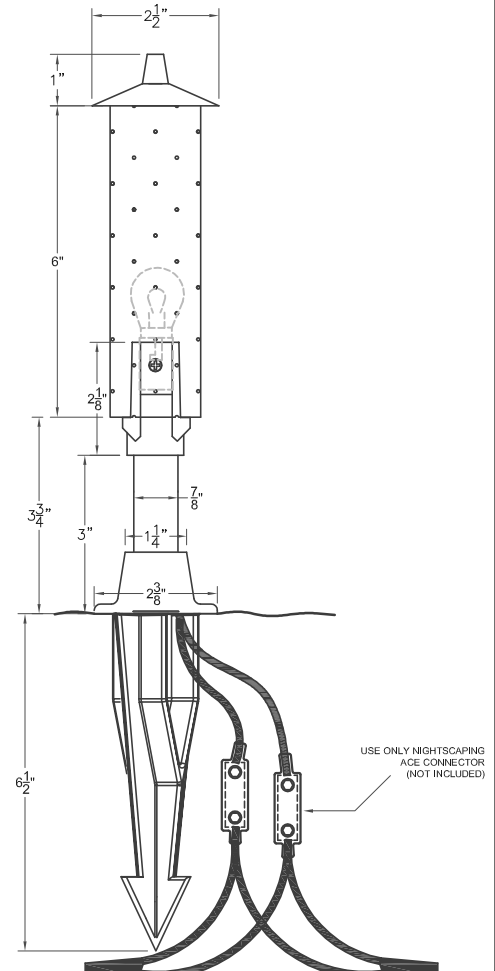
COPPER VERDE (ADDITIONAL CHARGE)

LAMP REPLACEMENT:

REMOVE SCREW ON SIDE OF FIXTURE
PULL UP ON FIXTURE BODY UNTIL LAMP IS EXPOSED
PUSH IN OLD LAMP, TURN COUNTER-CLOCKWISE, PULL OUT
REPLACE WITH NEW LAMP, TURNING LAMP CLOCKWISE
REPLACE TOP OF FIXTURE AND SECURELY TIGHTEN WITH SCREW



GS-1402



GS-1102

SPARKLER GS-1102, 1402, 1702

Nightscaping[®]

SIZE
A

DRAWN BY
THOMAS MEIS

CLASSIFICATION
SPECIALTY LIGHTING

DATE
SEPTEMBER 1, 2006

GS-1702